

mini-twin-temp

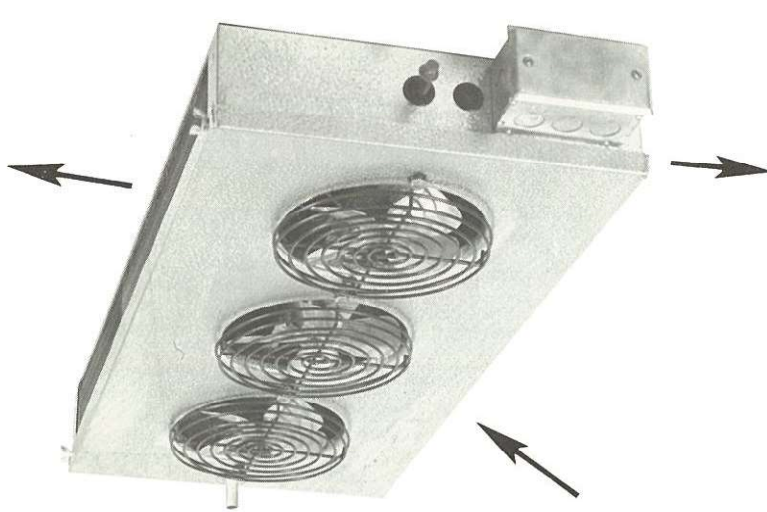
TECHNICAL BULLETIN
May 1982
Revised

MTW

HEIGHT SAVER

This ceiling mounted unit is specifically designed for hard to fit places that require a low profile coil.

MINI TWIN-TEMP fits back bars, beverage coolers, reach-ins, and other small areas.



- Features:**
- 3/4" Profile
 - All components easily accessible by removing panel thumb screws.
 - Units are supplied with Russ-Proof cores.
 - Hinged drain pan.
 - Retained drain pan fasteners.
 - Plastic fan guard (not pictured).

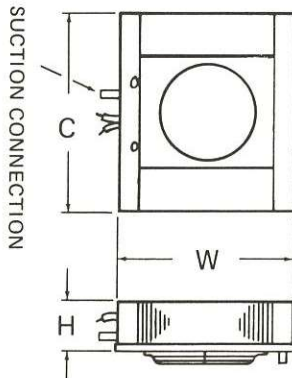


FIG. 1

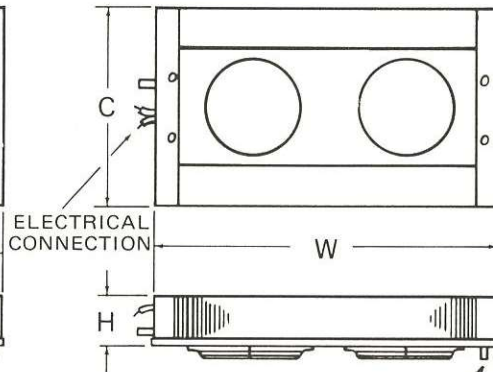


FIG. 2

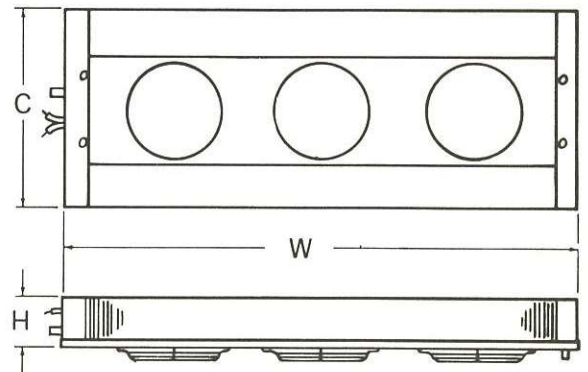


FIG. 3

SPECIFICATIONS

MODEL	FIG.	CAPACITY BTUH @ 10°TD	MOTORS 115v, 1φ	AMPS @ 115V	FANS	CFM	C	H	W	CONNECTIONS		WEIGHT LBS
										LIQUID	SUCTION	
MTW18-8	1	800	1-35W Input	.5	1-6"	200	13	3/4	14 1/4	1/2 FN	3/8 ODS	14
MTW28-13	2	1300	2-35W Input	1.0	2-6"	400	13	3/4	19 1/4	1/2 FN	3/8 ODS	15
MTW28-18	2	1800	2-35W Input	1.0	2-6"	380	13	3/4	19 1/4	1/2 FN	3/8 ODS	18
MTW38-27	3	2700	3-35W Input	1.5	3-6"	570	13	3/4	28 1/4	1/2 FN	3/8 ODS	23

Russell

Russell Coil Company a subsidiary of ARDCO, INC.
221 South Berry Street / Brea, California 92621
(714) 529-1935 / (213) 691-3246