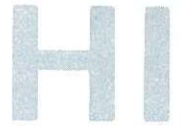


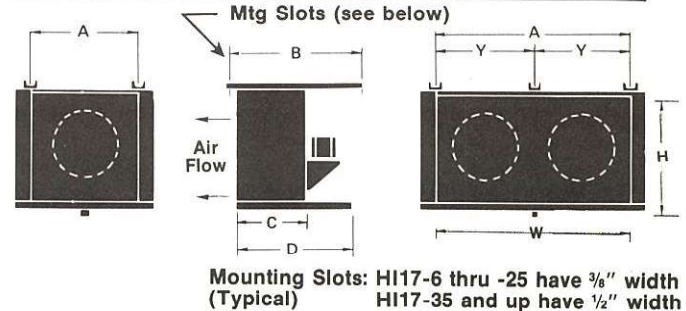
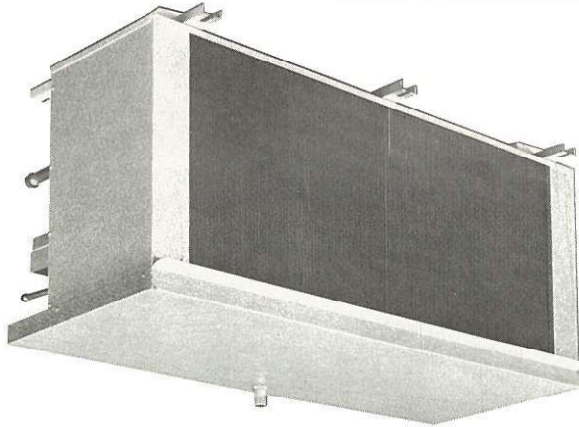
hi-temp

Unit Coolers

TECHNICAL BULLETIN
May 1984



For general use above 34°F — from 600 to 18,000 BTU/Hr. — For walk-in coolers, etc.
Heavy-gauge, all-aluminum housings; Russ-Proof coil standard on units thru Model HI17-25.



Hi-Temp Specifications/Dimensions

Dimensions and Connection Sizes

Model	A	B	W	C	H	D	Y	Suct. Conn.	Drain Outlet	Liq. Conn.
HI17-6	9-1/2"	8-3/4"	12"	6-1/2"	7"	8"	—	3/8" ODS	1/2" ODS	3/8" ODS
HI17-9	9-1/2"	8-3/4"	12"	6-1/2"	9"	8"	—	3/8" ODS	1/2" ODS	3/8" ODS
HI17-12	9-1/2"	8-3/4"	12"	6-1/2"	9"	8"	—	3/8" ODS	1/2" ODS	3/8" ODS
HI17-15	9-1/2"	8-3/4"	12"	6-1/2"	9"	8"	—	3/8" ODS	1/2" ODS	3/8" ODS
HI17-18	13-1/2"	11"	18"	8-3/4"	12"	12-3/4"	—	1/2" ODS	1/2" ODS	1/2" ODS
HI17-25	13-1/2"	11"	18"	8-3/4"	12"	12-3/4"	—	1/2" ODS	1/2" ODS	1/2" ODS
HI17-35	14"	20"	20"	13"	15-1/2"	18-1/2"	—	5/8" ODS	3/4" MPT	1/2" ODS
HI17-45	14"	20"	20"	13"	15-1/2"	18-1/2"	—	5/8" ODS	3/4" MPT	1/2" ODS
HI18-55	14"	20"	20"	13"	15-1/2"	18-1/2"	—	5/8" ODS	3/4" MPT	1/2" ODS
HI17-65	18"	20"	24"	13"	19-1/2"	18-1/2"	—	5/8" ODS	3/4" MPT	1/2" ODS
HI17-75	18"	20"	24"	13"	19-1/2"	18-1/2"	—	5/8" ODS	3/4" MPT	1/2" ODS
HI18-85	18"	20"	24"	13"	19-1/2"	18-1/2"	—	5/8" ODS	3/4" MPT	1/2" ODS
HI17-105	23"	20"	30"	13"	22"	18-1/2"	—	7/8" ODS	3/4" MPT	1/2" FN
HI18-120	23"	20"	30"	13"	22"	18-1/2"	—	7/8" ODS	3/4" MPT	1/2" FN
HI27-150*	41"	20"	48"	13"	22"	18-1/2"	20-1/2"	7/8" ODS	3/4" MPT	5/8" ODS
HI27-180*	41"	20"	48"	13"	22"	18-1/2"	20-1/2"	1-1/8" ODS	3/4" MPT	5/8" ODS

Specifications

(subject to change without notice)

Model	BTU/HR @ 10° TD	BTUH @ 15° TD	FAN DIA.	MOTOR HP/WATTS	AMPS 115V	CFM
HI17-6	600	900	6"	4W	.4	108
HI17-9	900	1350	8"	4W	.4	160
HI17-12	1200	1800	8"	4W	.4	216
HI17-15	1500	2250	8"	9W	.6	270
HI17-18	1800	2700	10"	9W	.6	325
HI17-25	2500	3750	10"	9W	.6	450
HI17-35	3500	5250	12"	1/20HP	1.7	490
HI17-45	4500	6750	12"	1/20HP	1.7	575
HI18-55	5500	8250	12"	1/20HP	1.7	795
HI17-65	6500	9750	16"	1/12HP	3.5	900
HI17-75	7500	11250	16"	1/12HP	3.5	1040
HI18-85	8500	12750	16"	1/12HP	3.5	1185
HI17-105	10500	15750	16"	1/12HP	3.5	1465
HI18-120	12000	18000	16"	1/6HP	5.6	1700
HI27-150*	15000	22500	2-16"	2-1/12HP	7.0	2080
HI27-180*	18000	27000	2-16"	2-1/12HP	7.0	2430

*Uses externally equalized thermostatic expansion valves.

Russell

Russell Coil Company A subsidiary of Ardco Inc.
221 South Berry Street Brea, California 92621
(714) 529-1935/(213) 691-3246

Catalog material is carefully prepared, but RUSSELL COIL COMPANY is not responsible for typographical errors or omissions.
Specification: Subject to change without notice.

Copyright 1984