

RUSSELL

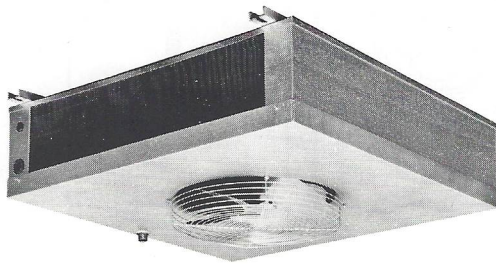
COIL COMPANY

RUSSELL

2-WAY UNIT

COOLERS

Ideal for reach-in and walk-in applications above 34° where efficient two-way discharge is required... permanently lubricated motors... simple, easy installation.



SPECIFICATIONS

Model	BTU Rating F-12		Total Surf. Ft.	Fan Dia.	Motor H.P.	CFM	Inlet to Coil	Suct. Conn	Drain Conn
	10° TD	15° TD							
TW-9	900	1350	30.4	8"	1/180	150	1/2" FN	1/2" MF	3/8" OD
TW-12	1200	1800	45.5	8"	1/180	190	1/2" FN	1/2" MF	3/8" OD
TW-18	1800	2700	60.7	8"	1/80	260	1/2" FN	1/2" MF	3/8" OD
TW-25	2500	3750	75.9	10"	1/30	350	1/2" FN	1/2" MF	1/2" FP
TW-35	3500	5250	94.9	10"	1/30	440	1/2" FN	1/2" MF	1/2" FP
TW-45	4500	6750	143.0	12"	1/30	530	1/2" FN	5/8" OD	1/2" FP
TW-55	5500	8250	165.8	12"	1/30	650	1/2" FN	5/8" OD	1/2" FP
TW-65	6500	9750	190.7	12"	1/30	820	1/2" FN	5/8" OD	1/2" FP
TW-75	7500	10250	232.8	16"	1/12	960	1/2" FN	5/8" OD	1/2" FP
TW-85	8500	12750	268.2	16"	1/12	1100	1/2" FN	5/8" OD	1/2" FP
*TW-105	10500	15750	319.6	16"	1/12	1350	5/8" OD	7/8" OD	1/2" FP
*TW-120	12000	18000	357.6	16"	1/12	1540	5/8" OD	7/8" OD	1/2" FP
*TW-150	15000	22500	447.0	18"	1/12	1920	5/8" OD	7/8" OD	3/4" MPT
*TW-180	18000	27000	536.4	18"	1/6	2280	5/8" OD	7/8" OD	3/4" MPT
TW-210	21000	31500	610.8	2-16"	2-1/12	2700	7/8" OD	1 1/8" OD	3/4" MPT
TW-240	24000	36000	733.0	2-16"	2-1/12	3100	7/8" OD	1 1/8" OD	3/4" MPT
TW-300	30000	45000	916.2	2-18"	2-1/12	4100	7/8" OD	1 3/8" OD	3/4" MPT

*EXTERNAL EQUALIZER TYPE VALVES MUST BE USED ON MODELS TW-105 AND LARGER

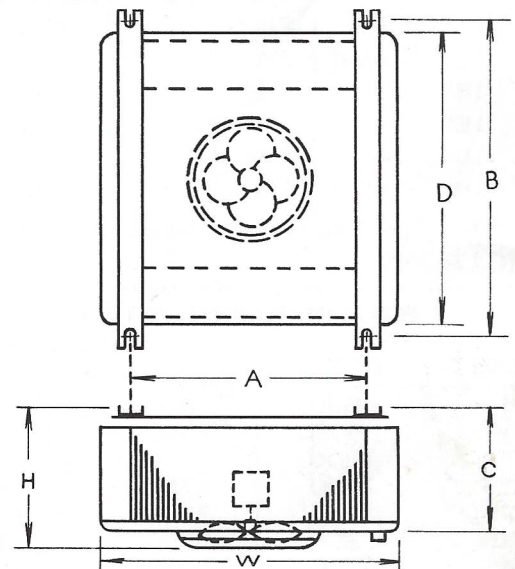
ALL MODELS PULL WARM AIR THROUGH BOTTOM PAN AND DISCHARGE THROUGH THE FINS

DIMENSIONS

Model	A	B	C	D	H	W
TW-9	12 1/2	19 1/2	5 7/8	18	6 7/8	16
TW-12	12 1/2	19 1/2	5 7/8	18	6 7/8	16
TW-18	12 1/2	19 1/2	7 3/8	18	8 3/8	16
TW-25	15	21 1/2	7 3/8	20	8 7/8	18
TW-35	15	21 1/2	9	20	10 1/2	18
TW-45	17	31 1/2	8 1/2	30	10 1/2	21
TW-55	17	31 1/2	10 1/2	30	12 1/2	21
TW-65	17	31 1/2	10 1/2	30	12 1/2	21
TW-75	31	36 1/2	8 1/2	35	10 1/2	36
TW-85	31	36 1/2	8 1/2	35	10 1/2	36
TW-105	31	36 1/2	10 1/2	35	12 1/2	36
TW-120	31	36 1/2	10 1/2	35	12 1/2	36
TW-150	31	38 1/2	12 1/2	37	14 1/2	37
TW-180	31	38 1/2	14 1/2	37	16 1/2	37
TW-210	42	36 1/2	12 1/2	35	14 1/2	48
TW-240	42	36 1/2	14 1/2	35	16 1/2	48
TW-300	42	42 1/2	14 1/2	41	16 1/2	48

3/8" MOUNTING HOLES

DIMENSION DIAGRAM



RUSSELL COIL COMPANY • 11711 EAST SLAUSON AVE. • SANTA FE SPRINGS, CALIF. • OX 3-7751 • RA 3-4519